



Royal Industrial Suppliers

Quality Fasteners Specialist

No. 4, M.G.S. Complex, Benki Nawab Street, S.P. Road Cross, Bangalore 560002

An ISO 9001:2015 Certified Co



8310165941 / 9008782885



sales@royalfastenersindia.com

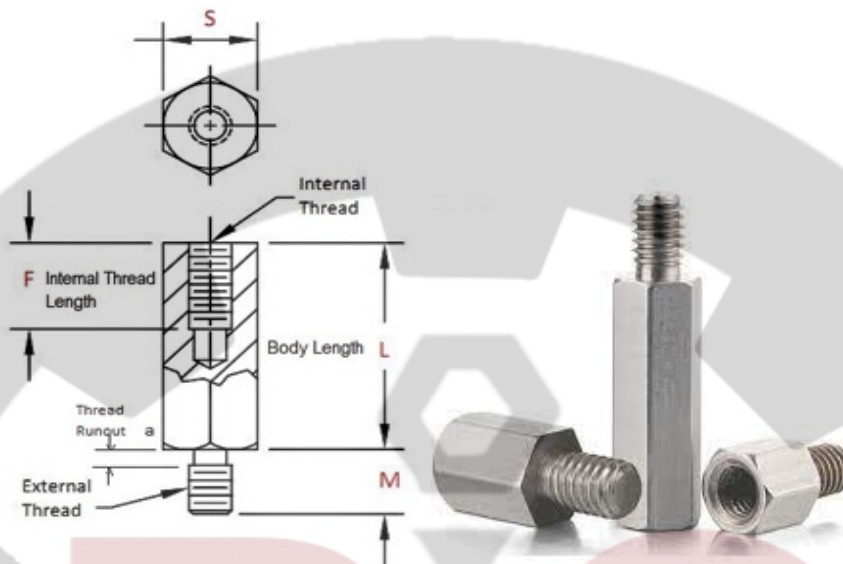


www.royalfastenersindia.com

HEX STANDOFF MF – (E.T. SPACER)

CATALOGUE NUMBER: **R3D55**

SS 303



Parameter ↓	Size →	M2x0.4	M2.5x0.45	M3x0.5	M3x0.5 ALT	M4x0.7	M5x0.8
Ext Thread M		6.00	6.00	6.00	12.00	6.00	7.00
A/F (S)	Max	5.00	5.00	5.00	5.00	7.00	7.00
	Min	4.78	4.78	4.78	4.78	6.73	6.73
Ext Thread Runout a		1.60	1.80	2.00	2.00	2.80	3.20
Int Thread F	Max	10.00	10.00	10.00	11.00	11.00	11.00
	Nom	L-1.5mm Max 6mm	L-1.5mm Max 6mm	L-1.5mm Max 8mm	L-1.5mm Max 8mm	L-1.5mm Max 8mm	L-1.5mm Max 10mm

Note: Internal Thread Length will be approx 1.5mm lesser than body length.

Send your Orders / Enquiries along with the following Item Codes

All Dimensions are in MM

Length ↓	Size →	M2x0.4	M2.5x0.45	M3x0.5	M3x0.5 ALT	M4x0.7	M5x0.8
4		R3D5502004	R3D5520504	R3D5503004	R3D5503104		
5		R3D5502005	R3D5520505	R3D5503005	R3D5503105		
6		R3D5502006	R3D5520506	R3D5503006	R3D5503106	R3D5504006	
8		R3D5502008	R3D5520508	R3D5503008	R3D5503108	R3D5504008	R3D5505008
10		R3D5502010	R3D5520510	R3D5503010	R3D5503110	R3D5504010	R3D5505010
12		R3D5502012	R3D5520512	R3D5503012	R3D5503112	R3D5504012	R3D5505012
15		R3D5502015	R3D5520515	R3D5503015	R3D5503115	R3D5504015	R3D5505015
18		R3D5502018	R3D5520518	R3D5503018	R3D5503118	R3D5504018	R3D5505018
20		R3D5502020	R3D5520520	R3D5503020	R3D5503120	R3D5504020	R3D5505020
25		R3D5502025	R3D5520525	R3D5503025	R3D5503125	R3D5504025	R3D5505025
30			R3D5520530	R3D5503030	R3D5503130	R3D5504030	R3D5505030
35				R3D5503035	R3D5503135	R3D5504035	R3D5505035
40				R3D5503040	R3D5503140	R3D5504040	R3D5505040
45				R3D5503045	R3D5503145	R3D5504045	R3D5505045
50				R3D5503050	R3D5503150	R3D5504050	R3D5505050

Sizes in BLUE are non-preferred. Availability is limited and MOQ is higher.

Data is strictly informative

Note: All Austenitic Stainless Steel Fasteners may exhibit some Magnetic Properties due to the Manufacturing Process.

Refer: ISO 3506-2 Annex F